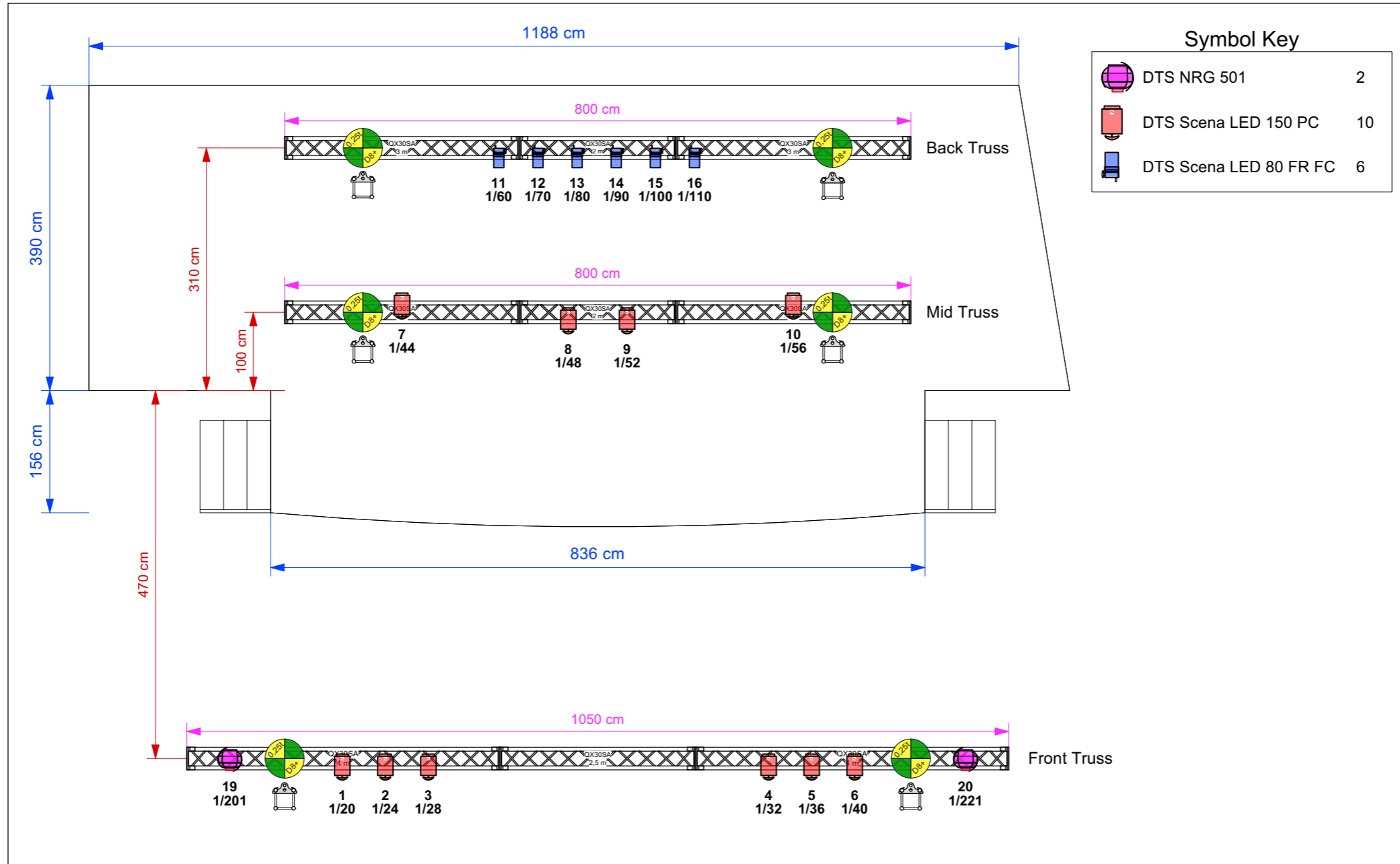
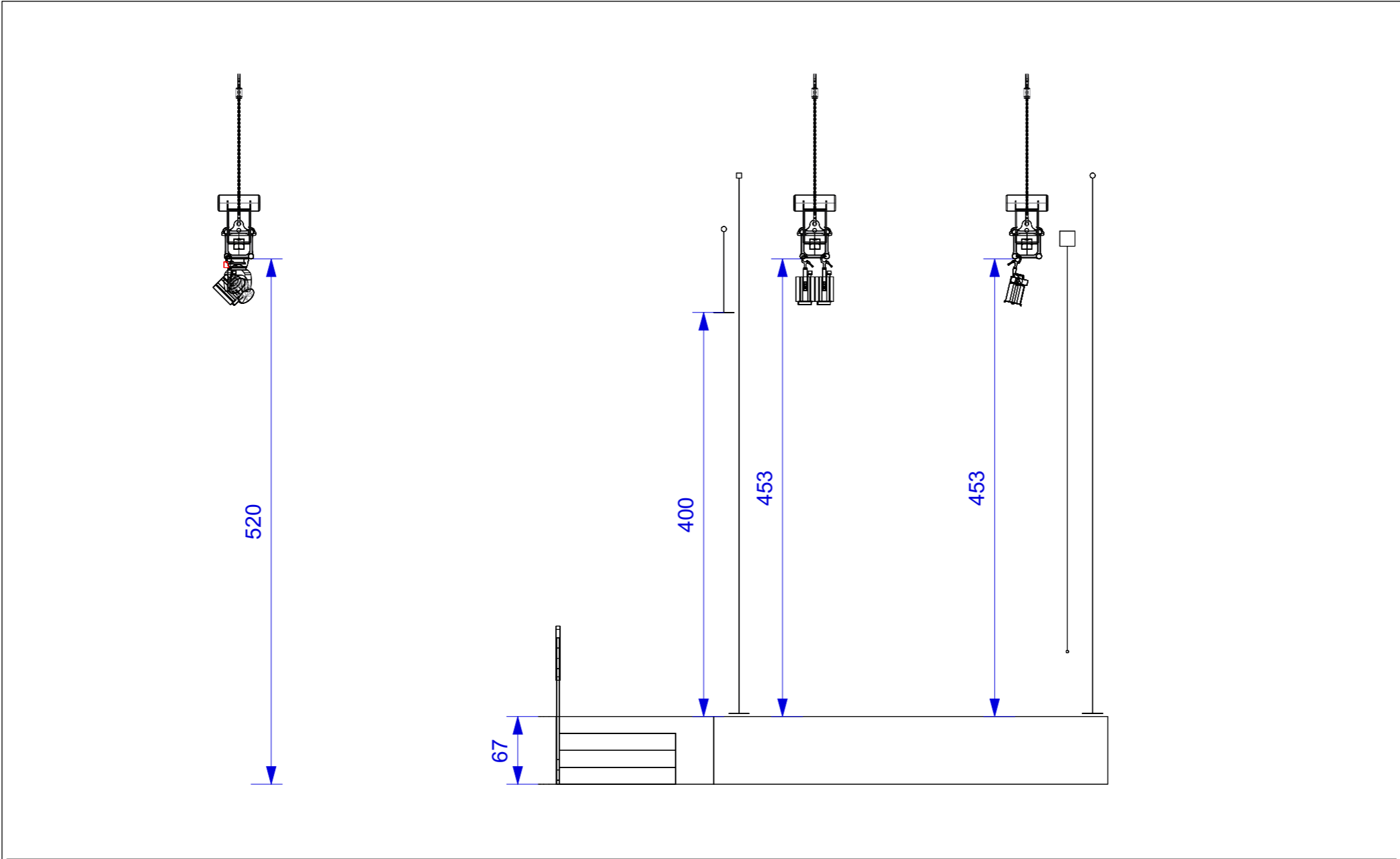


sheet	project	file name	revision	scale
01 - Dimensions	TaG - Teatro a Granarolo Via San Donato 209/d 40057 Granarolo dell'Emilia Bologna	TaG2023v3_v2024.vwx	B 21/10/2024	1:50
view		drawn by	date	page size
Top/Plan		Nicola Marozzi	13/12/2022	ISO A4



sheet 02 - Truss & Fixtures	project TaG - Teatro a Granarolo Via San Donato 209/d 40057 Granarolo dell'Emilia Bologna	file name TaG2023v3_v2024.vwx	revision B 21/10/2024	scale 1:65
view Top/Plan		drawn by Nicola Marozzi	date 13/12/2022	page size ISO A4



sheet	project	file name	revision	scale
03-Elevations	TaG - Teatro a Granarolo Via San Donato 209/d 40057 Granarolo dell'Emilia Bologna	TaG2023v3_v2024.vwx	B 21/10/2024	1:50
view		drawn by	date	page size
Right		Nicola Marozzi	13/12/2022	ISO A4